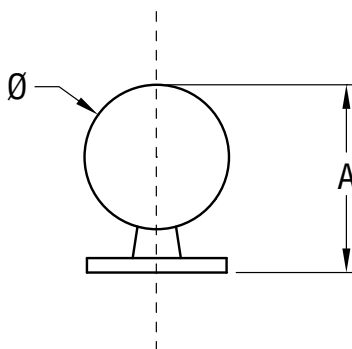


Technical drawing • Technische tekening • Dessin technique

Article 429.POM01
Artikel 429.POM02
Article 429.POM03



429.POM01.100	Ø 20 x A 27 mm x M4
429.POM02.100	Ø 25 x A 33 mm x M4
429.POM03.100	Ø 30 x A 39 mm x M4